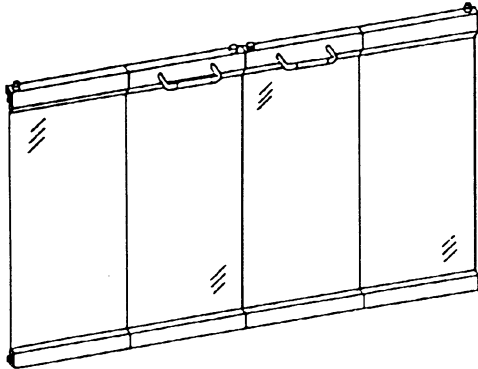


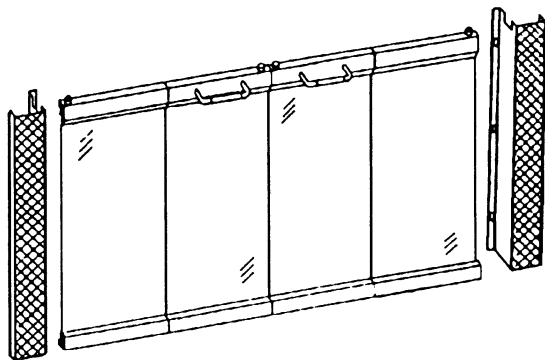
TEMCO FIREPLACE PRODUCTS, Inc.

INSTALLATION INSTRUCTIONS FOR GLASS DOORS, MODELS CX11, CX21, CX41, CX61, CX3629, CX4429, CX31



Model	For use with Fireplace Model...
-------	---------------------------------

CX-11	GLD301, GFD301
CX-21	TFC36-2, A36F, TLC36-2, A36L, TLC36-3, TFC36-3, GLC36-1
CX-41	A39L, TLC39-3, TFC39-3, TLC39-2, TLC39-22
CX-61	A42L, TLC42-4, TFC42-4, TLC42-3, GLC42-1
CX-3629	TCH3629
CX-4429	TCH4429-1



Model	For use with Fireplace Model...
-------	---------------------------------

CX-31	A39F, TFC39-2, TFC39-22
-------	-------------------------

Glass doors are attractive, popular accessories intended to enhance the appearance, energy conservation and safety of the fireplace.

The glass used in these accessories is specifically tempered for the fireplace application. The temper and its associated strength and integrity will be maintained unless the glass is heated too rapidly and/or to too high a temperature. This can be caused by over-firing, locating the fire too close to the doors (causing flame impingement), and/or operating with the doors partially open.

When the fire is at its hottest, glass doors should be kept in a **fully open** position with the screens closed. The doors may be moved to a **fully closed** position as the fire becomes less intense or is being allowed to die out.

Over-firing of the glass doors voids the warranty and can create a hazardous condition. Should the temper be lost, the doors are more likely to break, in which case they will break into shards capable of causing physical injury.

INTRODUCTION

It is important to read these instructions carefully before starting installation. Failure to follow these installation instructions may result in a possible fire hazard. **Check your glass door model before installation.**

Note: Door grilles must be used when installing CX-31 doors. Check the contents of the shipping cartons. Inspect each part for damage. Do not install a damaged glass door part.

To protect your hands and eyes when installing your glass doors, wear work gloves and safety glasses.

WARNINGS: FIREPLACES EQUIPPED WITH DOORS SHOULD BE OPERATED ONLY WITH THE DOORS FULLY OPEN OR DOORS FULLY CLOSED. IF THE DOORS ARE PARTLY OPEN, GAS AND FLAME MAY BE DRAWN OUT OF THE FIREPLACE OPENING, CREATING RISKS OF BOTH FIRE AND SMOKE. THE FIREPLACE MUST NOT BE OVER-FIRED. OVER-FIRING MAY CAUSE THE GLASS DOORS TO SHATTER.

WARNING: Failure to position the parts in accordance with these diagrams or failure to use only parts specifically approved with this heater may result in property damage or personal injury. See



TEMCO
FIREPLACE PRODUCTS

P.O. Box 1349 Manchester, TN 37349

1773 Parque Industrial Cachanilla
Mexicali, B.C. 21600

A subsidiary of Temtex Industries, Inc.

REV. 6/19/02 3:22 PM 69890D

Step 1: INSTALLATION OF DOOR GRILLES: Model CX-31.

Right and left door grilles must be installed before the glass doors can be attached. There is a notch in the top of each grille which will fit over the back flange of the upper door track. The two tabs on the side of the grille will fit into the two holes in the fireplace side rail. Hold each grille in place and secure with the (3) 12A x 1/2" screws provided.

STEP 2: INSTALLATION OF UPPER SPRING CLIPS AND OTHER ACCESSORIES

A. Installation of upper retaining spring clips

Looking inside the upper door track, remove two #10A screws from each end of the track. Attach the spring clips to the upper track as shown in figure 2. Fasten each spring clip to the upper track with the screw you have just removed and a #10A x 1/2" screw (provided) through the next oblong hole.

B. Installation of the door guide

Position the door guide onto the bottom door rail as shown in figure 2. Use two 10A x 1/2" pan head screws to secure the door guide in place. The door guide can be adjusted to fit the glass door, (see Figure 3).

C. Installation of the spring push

The spring push mounts in the center of the top fireplace opening. Align the spring push with the pre-punched holes and secure it in place with the two #8-32 machine screws, lock washers and nuts provided. It can be adjusted to have a proper fit between two guide pins as shown, (see Figure 4). For TCH models see inset in Figure 2.

STEP 3: INSTALLATION OF GLASS DOOR HANDLES

Secure the handle bracket to the frame of the glass doors with the #8-32 x 7/8" machine screws as shown in figure 5.

STEP 4: INSTALLATION OF THE GLASS DOOR

To install the right door, hold the glass door with the handle on the top and tilt the top of the door to the left. (1) Place the bottom hinge pin into the 3/8" pre-punched hole on the bottom rail. (2) Slide the top hinge pin into the hole of the spring clip. Reverse the procedure for the left door. After installing both sections of doors, to ensure a proper fit one or both upper spring clips may be loosened and moved to adjust the opening and closing of the doors, (see Figure 6).

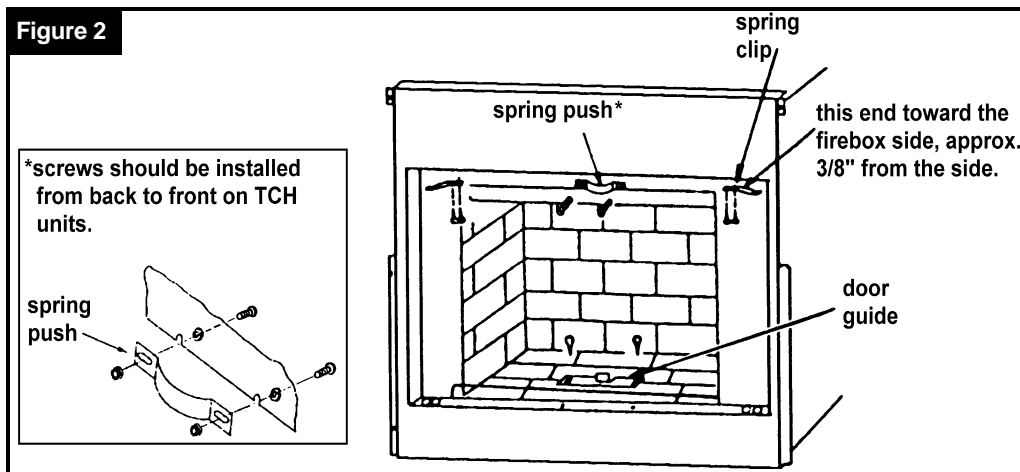
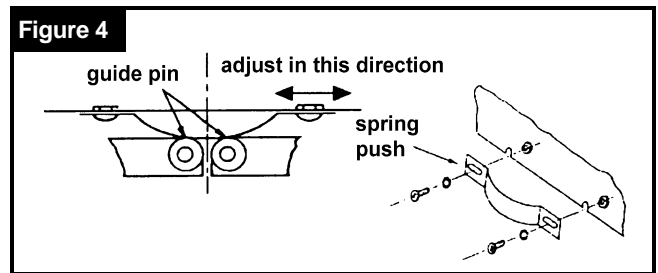
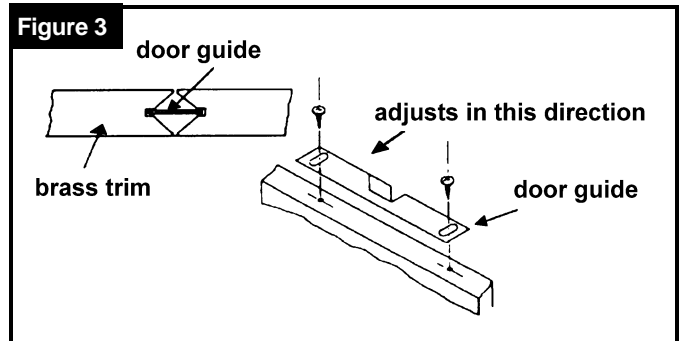
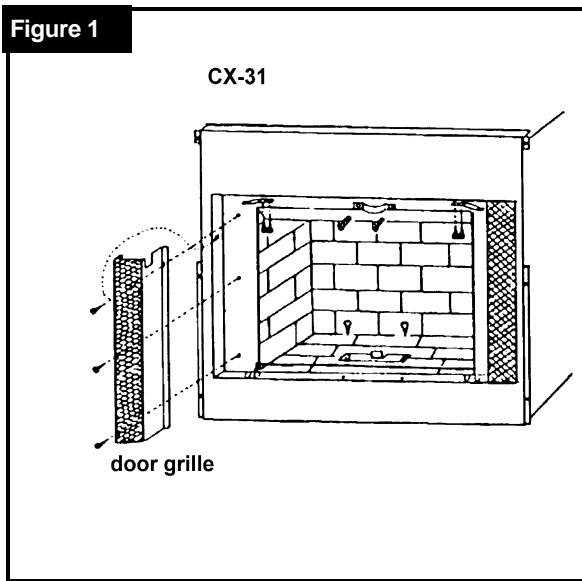


Figure 5

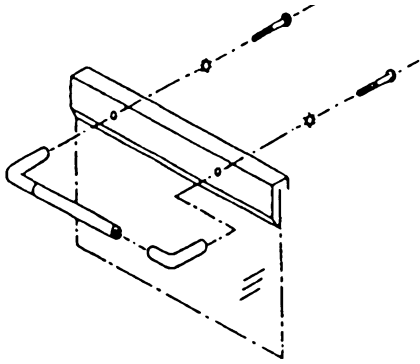
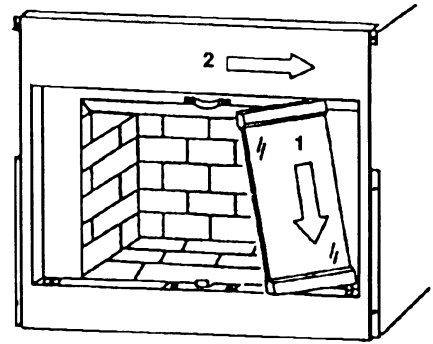


Figure 6



NOTE: A clearance less than 1/8" between the right door and the left door is considered normal.

REPLACEMENT PARTS

Part Description	Qty	CX-11	CX-21/31	CX-41	CX-61	CX-3629	CX-4429
safety glass	4	77454	69816	69817	69818	78398	72195
safety glass, side	1	-	-	-	-	-	-
gasket (silicone rubber)	8	77463	69872	69873	69874	69872	72196
gasket, side	2	-	-	-	-	-	-
assy right bifold door (polished brass)	1	77458	69770	69780	69790	-	72205
assy left bifold door (polished brass)	1	77457	69779	69789	69799	-	72193
assy right bifold door (black)	1	78525	78524	-	78709	78524	78526
assy left bifold door (black)	1	78513	78512	-	78699	78512	78514
handle assembly	2	67987	67987	67987	67987	67987	67987
door guide	1	68344	68344	68344	68344	68344	68344
spring push package	1	69891	69891	69891	69891	69891	69891
spring clip	2	62216	62216	62216	62216	62216	62216
screws, #10A x 1/2"	6	49007	49007	49007	49007	49007	49007
door grille, left	1	-	65419	65916	-	-	-
door grille, right	1	-	65418	65915	-	-	-
screws, #12A x 1/2"	6	66365	66365	66365	-	66365	66365

Limited Warranty and Exclusions

Temco Fireplace Products, Inc. warrants to the original purchaser that this glass door package is free from defects in material and workmanship for a period of one (1) year from the date of original purchase. If any part of this glass door fails during this period, Temco Fireplace Products, Inc. will - at its option - either repair or replace the part subject to the following terms:

TERMS AND CONDITIONS OF ONE-YEAR LIMITED WARRANTY

If the original purchaser of a Temco glass door kit believes that the part has failed during such period of one (1) year due to a defect in material and workmanship, he should promptly return the defective part to the nearest Temco dealer or distributor. Temco acceptance of any goods so shipped shall not be construed as or deemed an admission of any defect. Transportation costs will be paid by the consumer both to and from the factory and the dealer or distributor. Shipment from the dealer or distributor must be FOB Temco factory. If, in the sole judgment of Temco Fireplace Products, Inc., upon inspection it appears that the part has failed due to a defect in material and workmanship, Temco will - at its option - either repair or replace the part at no cost for the part. All labor charges incurred in the removal and replacement of the defective part will be incurred by the original purchaser. The remedy contained herein shall be the sole remedy for the breach of any express or implied warranty of Temco.

LIMITATION OF DURATION AND DISCLAIMER OF IMPLIED WARRANTIES

Any implied warranties of Temco Fireplace Products, Inc., including warranties of merchantability or fitness for a particular purpose, which arise out of the sale of Temco Glass Door Kits are limited to the duration of the warranties expressed above. In no event shall any implied warranty applicable to the glass door kits be effective after the expiration date of the above limited warranty.

- (A) Glass Breakage. Temco Fireplace Products does not warrant against breakage of glass. Breakage is normally due to handling and shipping which is covered by the freight handler. Breakage during use can be attributed to over-firing the fireplace which means flames are going up the chimney or licking against glass when the doors are in the closed position. The extreme heat can cause the doors to shatter, resulting in possible property damage.
- (B) Disclaimer of special, incidental or consequential damages. Temco Fireplace Products, Inc. shall have no liability for any special, incidental or consequential damages arising from the sale or use of the glass door kit. Temco makes no warranty or representation and assumes no responsibility for the performance of any product in which the glass door is contained.
- (C) Further disclaimer. Any express or implied warranties of Temco, including the limited warranties of merchantability or fitness for a particular purpose, shall not apply and Temco assumes no responsibility for any damages that result due to the following:
 - (1) If said glass door kit is not installed and operated at all times in accordance with the installation and operation instructions furnished.
 - (2) In any case where the said glass door kit has been either tempered with or altered in any way.
 - (3) In any case, where in the sole judgment of Temco Fireplace Products, the glass door kit has been misused, used negligently or suffered damage.
- (D) The warranties herein are expressly in lieu of any other expressed or implied warranty. Temco has not authorized any person to make any representations or assume any liability in connection with the sale of Temco glass door kits except such representations that are contained herein and in the specific installation and operation instructions furnished with the glass door kit model.
- (E) Temco makes no express warranty and disclaims all implied warranties as to accessories or parts not supplied by Temco.